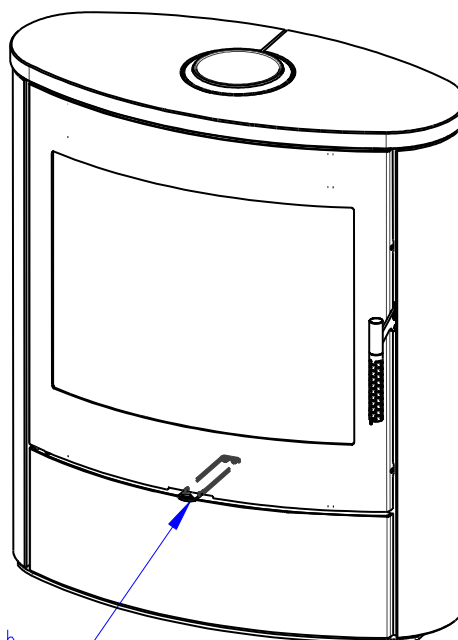
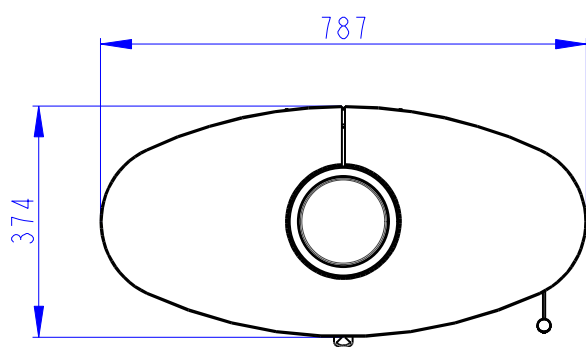


Centralni privod vzuchu Ø 125  
Zentral luftzufuhr Ø 125  
Central air inlet Ø 125



Primarni a sekundarni vzduch  
Primarluft und sekundarluft  
Primary and secondary air

**Declared qualities stated**

 Harmonised technical specification ✓ EN 16510-1 ed.2:2023 | EN 16510-2-1:2022 ✓ Ecodesign ✓ DIN+ ✓ BlmSchV2 ✓ 15a B-VG 2015

Classification of appliance	Type BE			
		Nominal heat output (nom)	Part load heat output (part)	
Energy efficiency	$\eta_{nom}   \eta_{part}$	82	83	%
Seasonal space heating energy efficiency at nominal heat output	$\eta_{s,nom}   \eta_{s,part}$	73	---	%
Energy Efficiency Index	EEI	110		
Energy label		A+		
Fuel		Wood logs		
Fuel length		180-350		mm
Average fuel consumption		2,09	1,36	kg/h
Allowed fuel dose		2,8		kg/h
Fuel supply interval		1 hour		
Amount of combustion air		26,5		m <sup>3</sup> /h
Nominal heat output	$P_{nom}   P_{part}$	7,1	4,8	kW
Hot-water exchanger nominal heat output	$P_{W,nom}   P_{W,part}$	---	---	kW
Maximum water operating pressure	$P_W$	---		bar
Dry flue gas mass flow rate	$\Phi_{f,g,nom}   \Phi_{f,g,part}$	7,4	3,4	g/s
Average flue gas temperature		270	256	°C
Flue gas outlet temperature	$T_{s,nom}   T_{s,part}$	324	307	°C
Flue draught	$p_{nom}   p_{part}$	12	9	Pa
Chimney temperature class		T400		
Connection to the common chimney		Yes		
Storage of fuel in the wood shed area		Yes		
Maximum warming of the wood in the wood shed		26		°C
Dust O <sub>2</sub> = 13 %	$PM_{nom}   PM_{part}$	37	26	mg/Nm <sup>3</sup>
Emissions of gases of combustion (CO in the flue gases at O <sub>2</sub> = 13 %)	$CO_{nom}   CO_{part}$	0,0663 828	---	% mg/Nm <sup>3</sup>
OGC O <sub>2</sub> = 13 %	$OGC_{nom}   OGC_{part}$	35	83	mg/Nm <sup>3</sup>
NOx O <sub>2</sub> = 13 %	$NO_{x,nom}   NO_{x,part}$	114	104	mg/Nm <sup>3</sup>
Automatic regulation unit of burning		---	---	
Electricity consumption in standby mode	$e_{sb}$	---		kW
Electricity consumption	$e_{l,max}   e_{l,min}$	---	---	kW
Standing air loss	$V_h$	---		m <sup>3</sup> /h
Intermittent operation   Continuous operation	INT   CON	INT		

**Basic technical data**

Principal dimensions (Height   Width   Length)	H   W   L	915   787   374	mm
Combustion chamber dimensions	H   W   L	335   514   258	mm
Fireplace door dimensions	H   W   L	---   ---   ---	mm
Axis height of the rear (side) outlet		787	mm
Volume of hot-water exchanger		---	l
Flue diameter		150	mm
Diameter of flue throat	$d_{out}$	150	mm
Diameter of external air connection		125	mm
Maximum length (pipe) of external air intake		5000	mm
Weight	m	192	kg
Load bearing capacity	$m_{chim}$	200	kg

**Heat capacity**

**minimum size of the room of appliance installation**

Insulation of the house – very good (20 W/m <sup>3</sup> ) e.g. new, insulated house / permanently inhabited	242	m <sup>3</sup>
Insulation of the house – good (22,5 W/m <sup>3</sup> )	215	m <sup>3</sup>
Insulation of the house – middle (32 W/m <sup>3</sup> )	151	m <sup>3</sup>
Insulation of the house – bad (45 W/m <sup>3</sup> )	108	m <sup>3</sup>
Insulation of the house – very bad (50 W/m <sup>3</sup> ) e.g. old, uninsulated house / cottage / chalet	97	m <sup>3</sup>

**Distances from flammable materials**

**with un-insulated flue pipe (provided on the product label)**

**Note**

Back	d <sub>R</sub>		300	mm
Front	d <sub>P</sub>		1200	mm
Front to the floor	d <sub>F</sub>	**	450	mm
Side	d <sub>S</sub>		400	mm
Side with glass	d <sub>S1</sub>		---	mm
Side – niche	d <sub>S2</sub>		100	mm
Side – location 45°	d <sub>S3</sub>		150	mm
Side radiation	d <sub>L</sub>		400	mm
From the floor	d <sub>B</sub>		10	mm
From the ceiling	d <sub>C</sub>		---	mm

**Distances from flammable materials with insulated flue pipe \***

Back	d <sub>R</sub>		---	mm
Side	d <sub>S</sub>		---	mm

**Distances from flammable materials with hanging plate (shielding)**

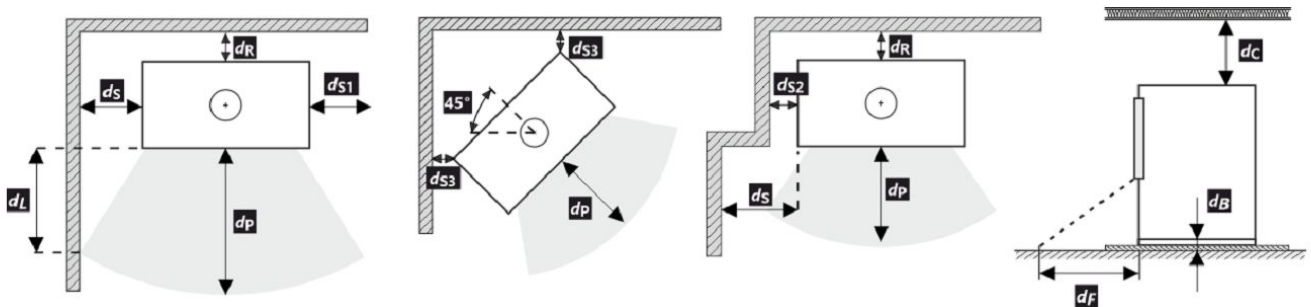
Back	d <sub>R</sub>		180	mm
Side	d <sub>S</sub>		400	mm

**Distances from flammable materials with insulated flue pipe and hanging plate (shielding) \***

Back	d <sub>R</sub>		100	mm
Side	d <sub>S</sub>		400	mm

**Distances from nonflammable materials**

Back	d <sub>Rnon</sub>		80	mm
Side	d <sub>Snon</sub>		400	mm
Side – niche	d <sub>S2non</sub>		80	mm



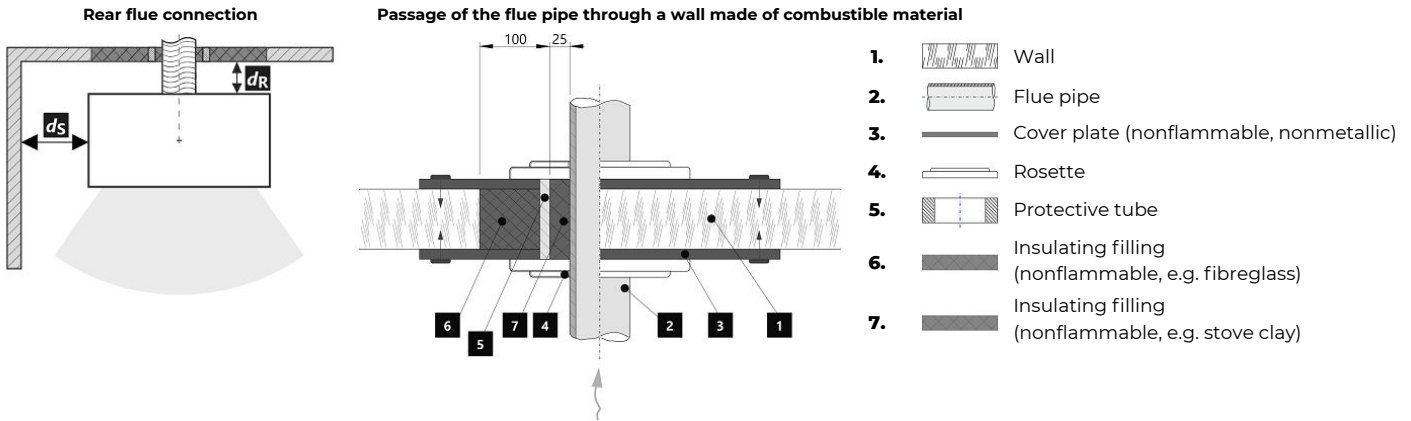
All local regulations, including regulations relating to national and European standards, must be observed during the installation and operation of the product.

In case 65 K is not superseded due to radiation on the floor in front and/or on the side walls, d<sub>F</sub> and/or d<sub>L</sub> are 0 mm.

- \* The distance assumes the use of an insulated flue pipe with a minimum insulation thickness of 25 mm up to the product.
- \*\* The floor made of flammable material must be protected in front of the stove by a vermiculite thickness 10 mm insulation board or can be replaced by an adequate substitute to a minimum distance of 500 mm.

**Distance from flammable (nonflammable) materials – rear flue connection**

Back	$d_R$	300	mm
Side	$d_S$	400	mm



**Distance from flammable (nonflammable) materials – rear flue connection (insulated)**

Back	$d_R$	---	mm
Side	$d_S$	400	mm

